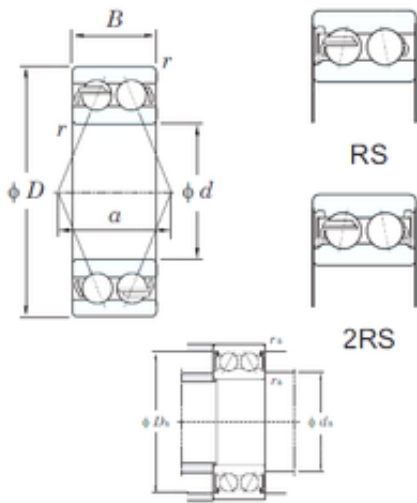




NTN Machinery Manufacturing Co., Ltd



50 mm x 110 mm x 44.4 mm KOYO 5310-2RS angular contact ball bearings

Bearing No. 5310-2RS

Size	50x110x44.4 mm
Bore Diameter	50 mm
Outer Diameter	110 mm
Width	44.4 mm
d	50 mm
D	110 mm
B	44.4 mm
C	44.4 mm
a	56.6 mm
r min.	2 mm
da min.	60 mm
da max	64.4 mm
Da max.	100 mm
ra max.	2 mm
Weight	1.93 Kg
Basic dynamic load rating (C)	81.8 kN
Basic static load rating (C0)	62.2 kN

5310-2RS Bearing 2D drawings and 3D CAD models