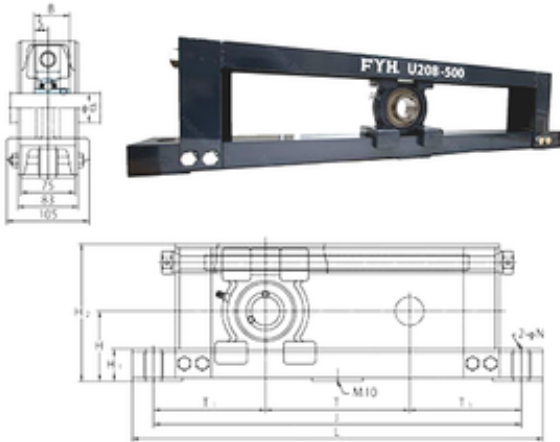




NTN Machinery Manufacturing Co., Ltd

FYH UCTU315-500 bearing units

Bearing No. UCTU315-500



UCTU315-500 Bearing 2D drawings and 3D CAD models

Bore Diameter	75 mm
Width	82 mm
d	75 mm
T1	210 mm
B	82 mm
H	155 mm
H1	55 mm
H2	305 mm
J	920 mm
L	980 mm
N	22 mm
S	32 mm
T	500 mm
Bolt (G)	M18
Weight	54 Kg
Basic dynamic load rating (C)	113 kN
Basic static load rating (C0)	77,2 kN