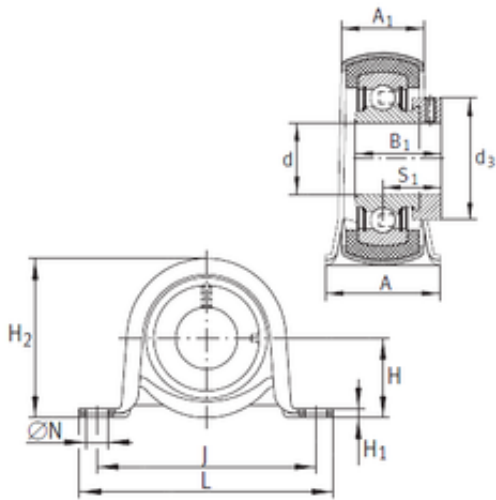




NTN Machinery Manufacturing Co., Ltd



RPB12 Bearing 2D drawings and 3D CAD models

INA RPB12 bearing units

Bearing No. RPB12

Bore Diameter	12 mm
d	12 mm
S1	22,1 mm
d3	28 mm
A	31,8 mm
A1	22,3 mm
B1	28,6 mm
H	25,4 mm
H1	3,3 mm
H2	50,1 mm
J	76 mm
L	98,7 mm
N	9,5 mm
Category	Bearings
Inventory	0.0
Manufacturer Name	SCHAEFFLER GROUP
Minimum Buy Quantity	N/A
Weight / Kilogram	0.23
Product Group	M06110