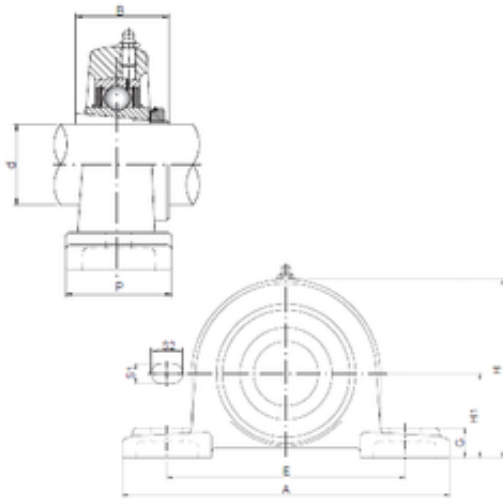




NTN Machinery Manufacturing Co., Ltd



ISO UKP211 bearing units

Bearing No. UKP211

Bore Diameter	50 mm
d	50 mm
S1	20 mm
P	60 mm
A	219 mm
B	59 mm
E	171 mm
G	23 mm
H	125 mm
H1	63,5 mm

UKP211 Bearing 2D drawings and 3D CAD models