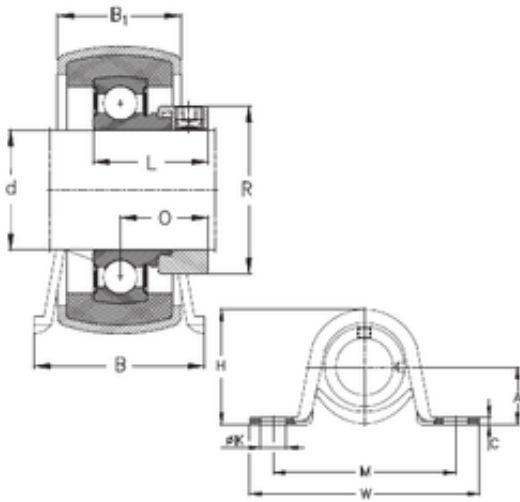




# NTN Machinery Manufacturing Co., Ltd



RPB20 Bearing 2D drawings and 3D CAD models

## NKE RPB20 bearing units

Bearing No. RPB20

Bore Diameter	20 mm
Width	31,8 mm
d	20 mm
O	23,5 mm
A	28,6 mm
B	31,8 mm
B1	23,5 mm
C	4 mm
H	56,5 mm
K	11,5 mm
L	31 mm
M	86 mm
R	33 mm
W	108 mm