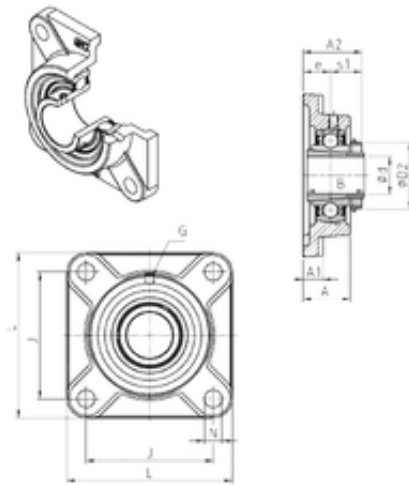




NTN Machinery Manufacturing Co., Ltd

SNR UKF210H bearing units

Bearing No. UKF210H



UKF210H Bearing 2D drawings and 3D CAD models

Bore Diameter	45 mm
d	45 mm
e	22 mm
s1	27,5 mm
A	40 mm
A1	16 mm
B	55 mm
D2	70 mm
J	111 mm
L	143 mm
N	16 mm
Thread (G)	M6x1
A2	49,5 mm
Weight	2,7 Kg
Basic dynamic load rating (C)	35,1 kN