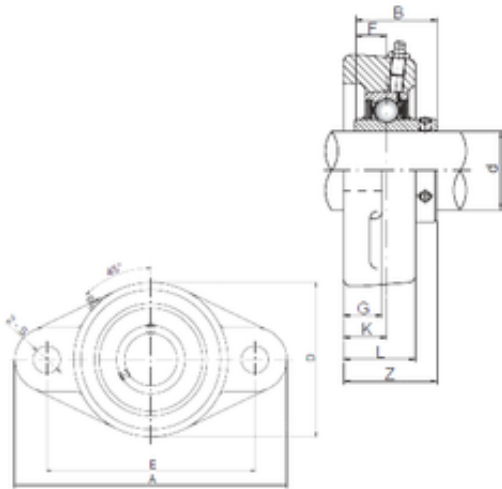




NTN Machinery Manufacturing Co., Ltd

25 mm x 68 mm x 34,1 mm ISO UCFL205 bearing units

Bearing No. UCFL205



UCFL205 Bearing 2D drawings and 3D CAD models

Bore Diameter	25 mm
d	25 mm
B	34,1 mm
Z	35,8 mm
A	130 mm
D	68 mm
E	99 mm
F	14,3 mm
G	13 mm
K	16 mm
L	27 mm
S	16 mm
Bolt (G)	M14