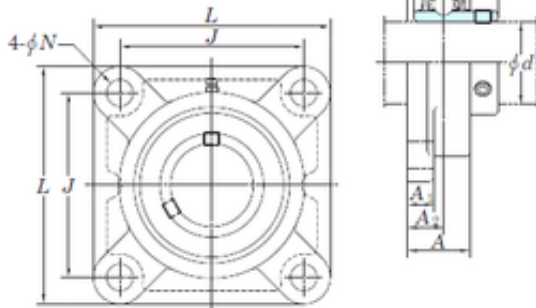




## KOYO UCF308-24 bearing units

Bearing No. UCF308-24



Bore Diameter	36,5125 mm
d	36,5125 mm
A0	56 mm
A	40 mm
A1	17 mm
B	52 mm
J	112 mm
L	150 mm
N	19 mm
S	19 mm
Bolt (G)	M16
A2	23 mm
Weight	3,1 Kg
Basic dynamic load rating (C)	40,7 kN
Basic static load rating (C0)	24 kN

UCF308-24 Bearing 2D drawings and 3D CAD models