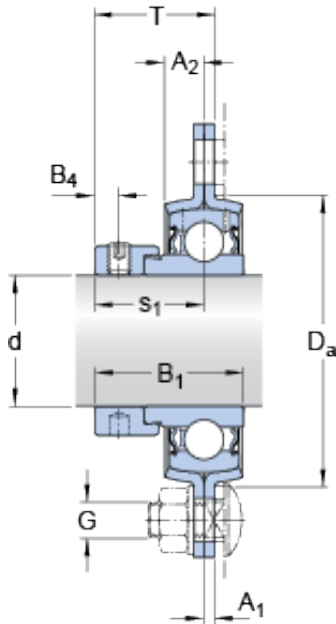




# NTN Machinery Manufacturing Co., Ltd



PFD 20 FM Bearing 2D drawings and 3D CAD models

## SKF PFD 20 FM bearing units

Bearing No. PFD 20 FM

Size	20x2x8 mm
Bore Diameter	20 mm
Outer Diameter	2 mm
Width	8 mm
d	20 mm
A <sub>1</sub>	2 mm
A <sub>2</sub>	8 mm
B	21.5 mm
B <sub>4</sub>	4.75 mm
D <sub>a</sub> - min.	51 mm
J	71.4 mm
H	90 mm
H <sub>1</sub>	32 mm
H	8.7 mm
s <sub>1</sub>	24 mm
T	26 mm
Basic dynamic load rating - C	12.7 kN
Basic static load rating - C <sub>0</sub>	6.6 kN
Fatigue load limit - P <sub>u</sub>	0.28 kN
Permissible radial housing load	max. 3.3 kN
Weight	0.29 kg
Thread - G <sub>2</sub>	M6x0.75
Hexagonal key size for grub screw - H	3 mm



## NTN Machinery Manufacturing Co., Ltd

Housing material	Pressed steel
A <sub>1</sub>	2 mm
A <sub>2</sub>	8 mm
B <sub>4</sub>	4.75 mm
D <sub>a</sub> min.	51 mm
H <sub>1</sub>	32 mm
N	8.7 mm
s <sub>1</sub>	23.5 mm
Basic dynamic load rating C	12.7 kN
Basic static load rating C <sub>0</sub>	6.55 kN
Fatigue load limit P <sub>u</sub>	0.28 kN
Permissible radial housing load max.	3.3 kN
Mass unit	0.29 kg
Thread grub screw G <sub>2</sub>	M6x0.75
Hexagonal key size for grub screw N	3 mm
Recommended tightening torque for grub screw	4 N · m
Recommended diameter for attachment bolts, mm G	8 mm
Recommended diameter for attachment bolts, inch G	0.3125 in