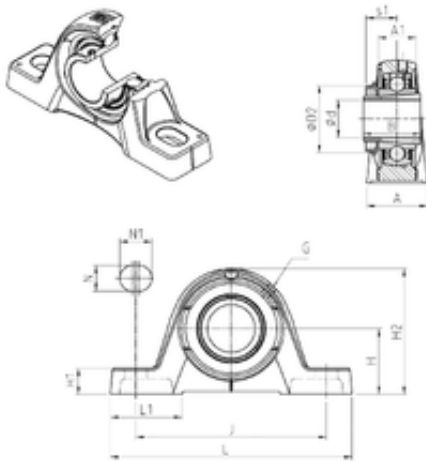




NTN Machinery Manufacturing Co., Ltd

SNR UKPE206H bearing units

Bearing No. UKPE206H



UKPE206H Bearing 2D drawings and 3D CAD models

Bore Diameter	25 mm
d	25 mm
s1	20,5 mm
A	40 mm
A1	25 mm
B	38 mm
D2	45 mm
H	42,9 mm
H1	17 mm
H2	82 mm
J	118 mm
L	158 mm
L1	47 mm
N	14 mm
N1	22 mm
Thread (G)	R1/8"
Weight	1,2 Kg
Basic dynamic load rating (C)	19,5 kN