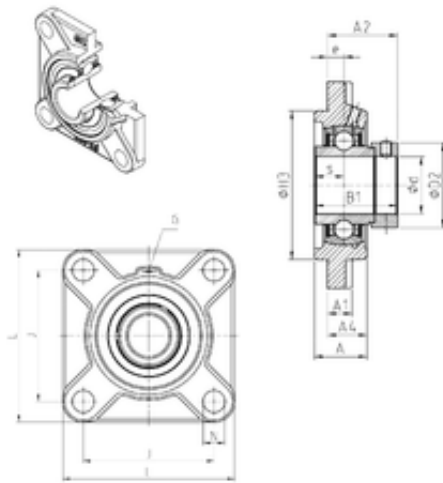




NTN Machinery Manufacturing Co., Ltd



SNR EXFS307 bearing units

Bearing No. EXFS307

Bore Diameter	35 mm
d	35 mm
H3	100 mm
A4	27 mm
e	11 mm
s	18,3 mm
A	36 mm
A1	16 mm
B1	51,6 mm
D2	55 mm
J	100 mm
L	135 mm
N	19 mm
Thread (G)	M6x1
A2	44,3 mm
Weight	2,4 Kg
Basic dynamic load rating (C)	33,5 kN

EXFS307 Bearing 2D drawings and 3D CAD models