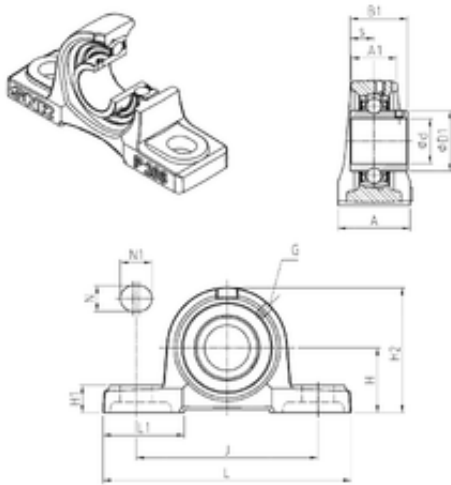




# NTN Machinery Manufacturing Co., Ltd



## SNR UCP205 bearing units

Bearing No. UCP205

Bore Diameter	25 mm
d	25 mm
s	14,3 mm
A	38 mm
A1	26 mm
B1	34 mm
D1	34 mm
H	36,5 mm
H1	16 mm
H2	70 mm
J	105 mm
L	140 mm
L1	42 mm
N	13 mm
N1	19 mm
Thread (G)	M6x1
Weight	0,8 Kg
Basic dynamic load rating (C)	14 kN

UCP205 Bearing 2D drawings and 3D CAD models