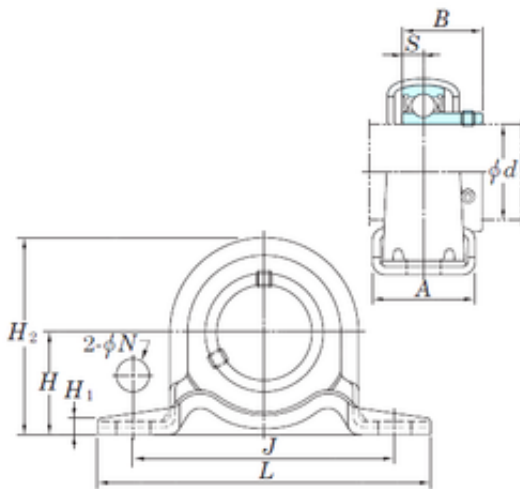




NTN Machinery Manufacturing Co., Ltd



SBPP201-8 Bearing 2D drawings and 3D CAD models

KOYO SBPP201-8 bearing units

Bearing No. SBPP201-8

Bore Diameter	12,7 mm
Width	22 mm
d	12,7 mm
A	25 mm
B	22 mm
H	22,2 mm
H1	3,2 mm
H2	43,8 mm
J	68 mm
L	86 mm
N	9,5 mm
S	6 mm
Bolt (G)	M8
Weight	0,16 Kg
Basic dynamic load rating (C)	9,55 kN
Basic static load rating (C0)	4,8 kN