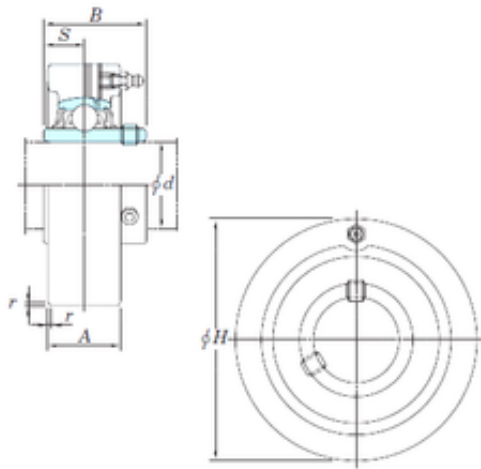




NTN Machinery Manufacturing Co., Ltd



KOYO UCCX12-39 bearing units

Bearing No. UCCX12-39

Bore Diameter	61,9125 mm
Width	65,1 mm
d	61,9125 mm
r	2,5 mm
A	44 mm
B	65,1 mm
H	160 mm
S	25,4 mm
Weight	4,6 Kg
Basic dynamic load rating (C)	57,2 kN
Basic static load rating (C0)	40,1 kN

UCCX12-39 Bearing 2D drawings and 3D CAD models