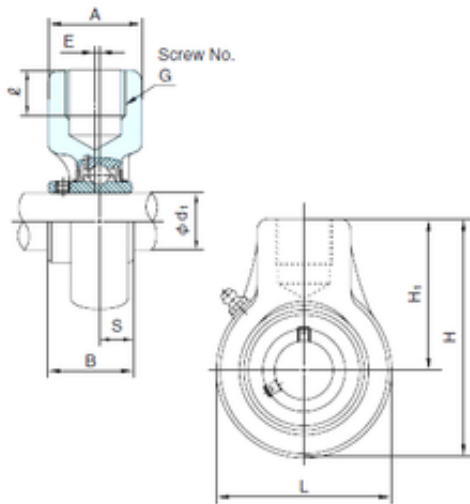




# NTN Machinery Manufacturing Co., Ltd



## NACHI UCECH201 bearing units

Bearing No. UCECH201

Bore Diameter	12 mm
Width	31 mm
d	12 mm
A	40 mm
B	31 mm
E	0 mm
H	96 mm
H1	64 mm
L	64 mm
S	12.7 mm
	19 Tolerance h14
Thread (G)	PF3/4

UCECH201 Bearing 2D drawings and 3D CAD models