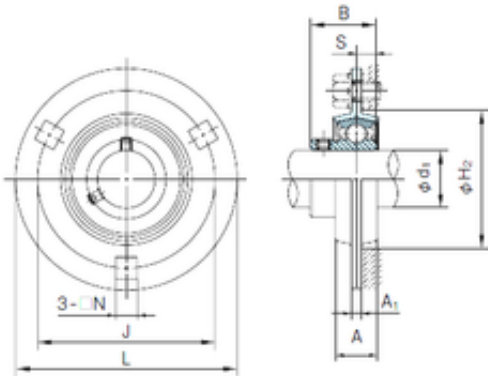




NTN Machinery Manufacturing Co., Ltd

NACHI BPF3 bearing units

Bearing No. BPF3



BPF3 Bearing 2D drawings and 3D CAD models

Bore Diameter	17 mm
Width	22 mm
d	17 mm
A	14 mm
A1	4 mm
B	22 mm
H2	49 mm
J	63.5 mm
L	81 mm
N	7 mm
S	6 mm
Bolt (G)	M6