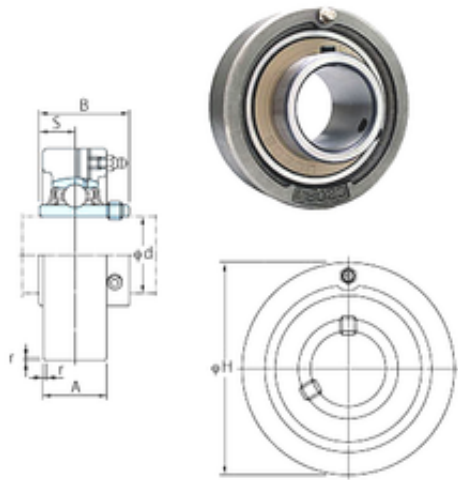




NTN Machinery Manufacturing Co., Ltd

FYH UCC312 bearing units

Bearing No. UCC312



UCC312 Bearing 2D drawings and 3D CAD models

Bore Diameter	60 mm
Width	71 mm
d	60 mm
r	3 mm
A	46 mm
B	71 mm
H	160 mm
S	26 mm
Weight	4,8 Kg
Basic dynamic load rating (C)	81,9 kN
Basic static load rating (C0)	52,2 kN