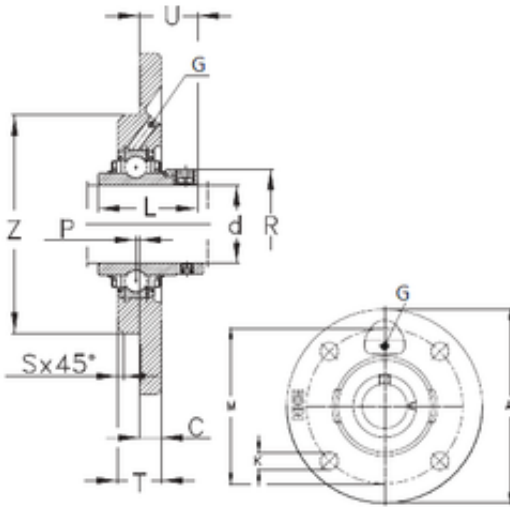




NTN Machinery Manufacturing Co., Ltd



NKE RMEY70 bearing units

Bearing No. RMEY70

| | |
|---------------|---------|
| Bore Diameter | 70 mm |
| d | 70 mm |
| P | 0 mm |
| U | 44,4 mm |
| K | 18 mm |
| Z | 150 mm |
| A | 215 mm |
| C | 18 mm |
| L | 74,6 mm |
| M | 177 mm |
| S | 6 mm |
| T | 32 mm |
| Thread (G) | R1/8 " |

RMEY70 Bearing 2D drawings and 3D CAD models