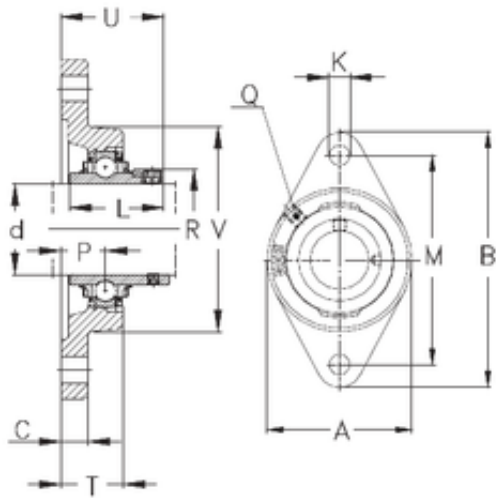




NTN Machinery Manufacturing Co., Ltd



NKE RCJT17 bearing units

Bearing No. RCJT17

Bore Diameter	17 mm
d	17 mm
P	17 mm
V	57 mm
U	40,4 mm
K	11,5 mm
A	57 mm
B	99 mm
C	9,5 mm
L	37,3 mm
M	76,5 mm
R	28 mm
T	25 mm
Thread (G)	M6

RCJT17 Bearing 2D drawings and 3D CAD models