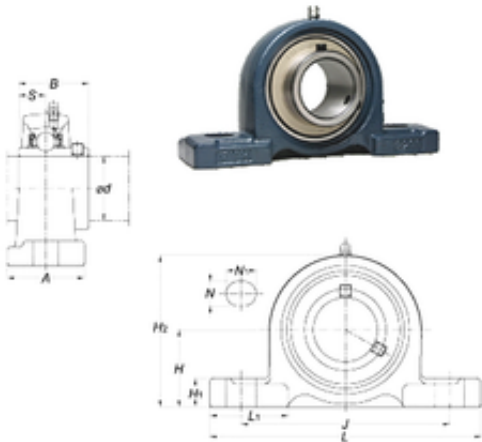




NTN Machinery Manufacturing Co., Ltd

FYH UCPX06-20 bearing units

Bearing No. UCPX06-20



UCPX06-20 Bearing 2D drawings and 3D CAD models

Bore Diameter	31,75 mm
Width	42,9 mm
d	31,75 mm
A	57 mm
B	42,9 mm
H	47,6 mm
H1	17 mm
H2	93 mm
J	127 mm
L	175 mm
L1	55 mm
N	17 mm
N1	25 mm
S	17,5 mm
Bolt (G)	M14
Weight	2,1 Kg
Basic dynamic load rating (C)	25,7 kN
Basic static load rating (C0)	15,4 kN