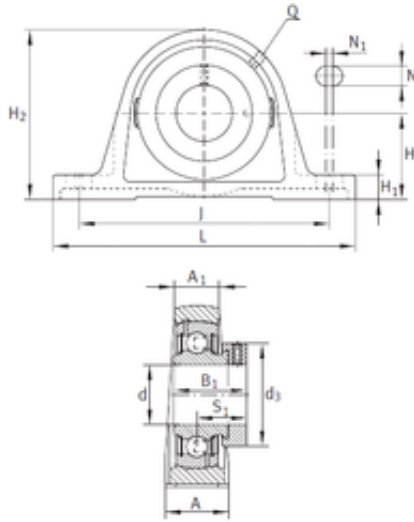




NTN Machinery Manufacturing Co., Ltd



PASE1/2 Bearing 2D drawings and 3D CAD models

INA PASE1/2 bearing units

Bearing No. PASE1/2

Bore Diameter	12,7 mm
d	12,7 mm
S1	22,098 mm
Thread (Q) - 1/4-28 UNF	1/428 UNF
d3	27,991 mm
A	32,004 mm
A1	19 mm
B	28,601 mm
H	30,201 mm
H1	13,996 mm
H2	58 mm
J	91,999 mm
L	125 mm
N	10,999 mm
N1	10,999 mm
Category	Pillow Block Bearings
Inventory	0.0
Manufacturer Name	SCHAEFFLER GROUP
Minimum Buy Quantity	N/A
Weight / Kilogram	0.55
Product Group	M06110
Number of Mounting Holes	2
Mounting Method	Eccentric Collar
Housing Style	2 Bolt Pillow Block
Rolling Element	Ball Bearing
Housing Material	Cast Iron



NTN Machinery Manufacturing Co., Ltd

Expansion / Non-expansion	Non-expansion
Relubricatable	Yes
Insert Part Number	GRA008NPPB
Seals	Double Lip Contact
Housing Configuration	1 Piece Solid
Inch - Metric	Inch
Other Features	Single Row Spherical Standard Shaft Height With Set Screw
Long Description	2 Bolt Pillow Block; 1/2" Bore; 1-3/16" Base to Center Height; Eccentric Collar Mount; Ball Bearing; 3-3/16" Minimum Bolt Spacing; 4.055" Bolt Spacing Maximum; Relubricatable; Cast
Category	Pillow Block
UNSPSC	31171511
Harmonized Tariff Code	8483.20.40.40
Noun	Bearing
Keyword String	Pillow Block
Manufacturer URL	http://www.ina.com
Manufacturer Item Number	PASE1/2
Weight / LBS	1.213
Bore	0.5 Inch 12.7 Millimeter
Bolt Spacing Minimum	3.189 Inch 81Millimeter
Length Thru Bore	1.126 Inch 28.6 Millimeter
Actual Bolt Center to Center	0 Inch 0Millimeter
Base to Center Height	1.188 Inch 30.175 Millimeter
Nominal Bolt Center to Center	3.6 Inch 92 Millimeter
Bolt Spacing Maximum	4.055 Inch 103Millimeter