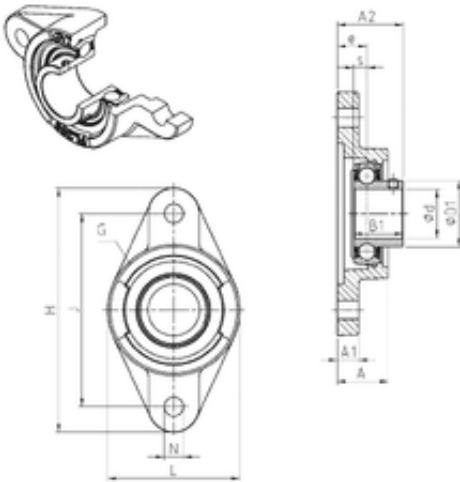




NTN Machinery Manufacturing Co., Ltd



SNR USFL203 bearing units

Bearing No. USFL203

Bore Diameter	17 mm
d	17 mm
e	15 mm
s	6 mm
A	25,5 mm
A1	11 mm
B1	22 mm
D1	24,6 mm
H	99 mm
J	76,5 mm
L	57 mm
N	12 mm
Thread (G)	M6x1
A2	31 mm
Weight	0,4 Kg
Basic dynamic load rating (C)	9,55 kN

USFL203 Bearing 2D drawings and 3D CAD models