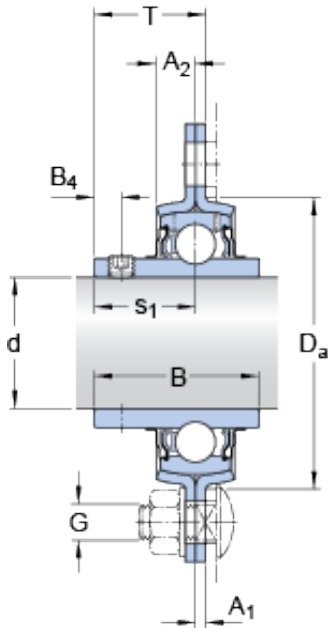




NTN Machinery Manufacturing Co., Ltd



PFT 1.1/2 TF Bearing 2D drawings and 3D CAD models

SKF PFT 1.1/2 TF bearing units

Bearing No. PFT 1.1/2 TF

Size	38.1x3.5x10 mm
Bore Diameter	38,1 mm
Outer Diameter	3,5 mm
Width	10 mm
d	38.1 mm
A ₁	3.5 mm
A ₂	10 mm
B	49.2 mm
B ₄	8 mm
D _a - min.	87 mm
J	119 mm
H	148 mm
L	104 mm
H	13.5 mm
s ₁	30.2 mm
T	33.7 mm
Basic dynamic load rating - C	30.7 kN
Basic static load rating - C ₀	19 kN
Fatigue load limit - P _u	0.8 kN
Limiting speed	4800 r/min
Mass bearing unit	0.95 kg
Thread - G ₂ - 5/16-24 UNF	5/1624 UNF
Hexagonal key size for grub screw - H	3.969 mm
Housing material	Pressed steel



NTN Machinery Manufacturing Co., Ltd

D_a min.	87 mm
A_1	3.5 mm
A_2	10 mm
B_4	8 mm
N	13.5 mm
s_1	30.2 mm
Basic dynamic load rating C	30.7 kN
Basic static load rating C_0	19 kN
Fatigue load limit P_u	0.8 kN
Thread grub screw G_2	5/16-24 UNF
Hexagonal key size for grub screw N	3.969 mm
Recommended tightening torque for grub screw	6.5 N · m
Recommended diameter for attachment bolts, mm G	12 mm
Recommended diameter for attachment bolts, inch G	0.5 in