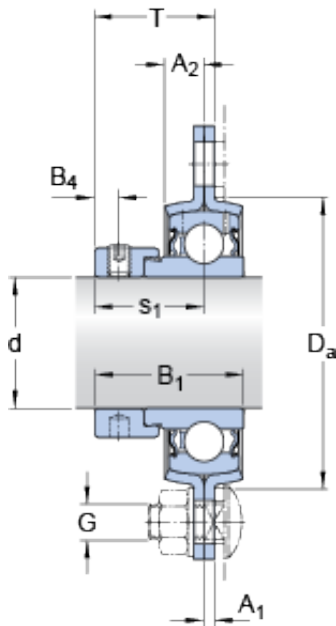




# NTN Machinery Manufacturing Co., Ltd



PFT 15 FM Bearing 2D drawings and 3D CAD models

## SKF PFT 15 FM bearing units

Bearing No. PFT 15 FM

Size	15x2x7 mm
Bore Diameter	15 mm
Outer Diameter	2 mm
Width	7 mm
d	15 mm
A <sub>1</sub>	2 mm
A <sub>2</sub>	7 mm
B <sub>1</sub>	28.6 mm
B <sub>4</sub>	4.75 mm
D <sub>a</sub> - min.	44 mm
J	63 mm
H	81 mm
L	59 mm
H	7.1 mm
s <sub>1</sub>	22.6 mm
T	24.6 mm
Basic dynamic load rating - C	9.6 kN
Basic static load rating - C <sub>0</sub>	4.8 kN
Fatigue load limit - P <sub>u</sub>	0.2 kN
Limiting speed	9500 r/min
Mass bearing unit	0.2 kg
Thread - G <sub>2</sub>	M6x0.75
Hexagonal key size for grub screw - H	3 mm
Housing material	Pressed steel



## NTN Machinery Manufacturing Co., Ltd

$D_a$ min.	44 mm
$A_1$	2 mm
$A_2$	7 mm
$B_1$	28.6 mm
$B_4$	4.75 mm
N	7.1 mm
$s_1$	22.6 mm
Basic dynamic load rating C	9.56 kN
Basic static load rating $C_0$	4.75 kN
Fatigue load limit $P_u$	0.2 kN
Thread grub screw $G_2$	M6x0.75
Hexagonal key size for grub screw N	3 mm
Recommended tightening torque for grub screw	4 N · m
Recommended diameter for attachment bolts, mm G	6 mm
Recommended diameter for attachment bolts, inch G	0.25 in