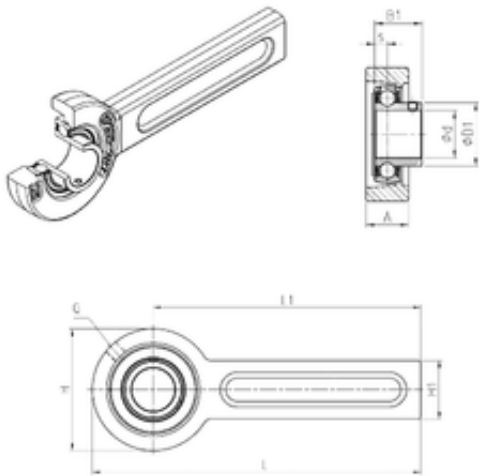




# NTN Machinery Manufacturing Co., Ltd

## SNR USSP208 bearing units



Bearing No. USSP208

Bore Diameter	40 mm
d	40 mm
s	9 mm
A	31 mm
B1	34 mm
D1	53 mm
H	120 mm
H1	61 mm
L	320 mm
L1	260 mm
Thread (G)	R1/8"
Weight	4,2 Kg
Basic dynamic load rating (C)	29,6 kN

USSP208 Bearing 2D drawings and 3D CAD models