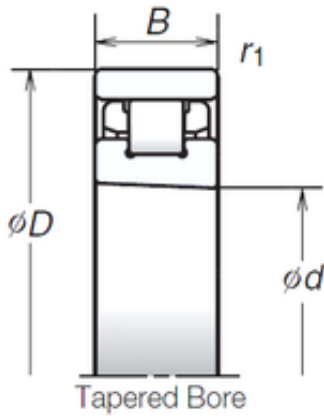




# NTN Machinery Manufacturing Co., Ltd

60 mm x 95 mm x 18 mm NSK N1012RXTPKR cylindrical roller bearings



Bearing No. N1012RXTPKR

Size	60x86.1x18 mm
Bore Diameter	60 mm
Outer Diameter	86,1 mm
Width	18 mm
d	60 mm
D	95 mm
E	86,1 mm
B	18 mm
C	18 mm
r min.	1,1 mm
r1 min.	1 mm
Weight	0,442 Kg
Basic dynamic load rating (C)	37,5 kN
Basic static load rating (C0)	44 kN
(Grease) Lubrication Speed	17 000 r/min

N1012RXTPKR Bearing 2D drawings and 3D CAD models