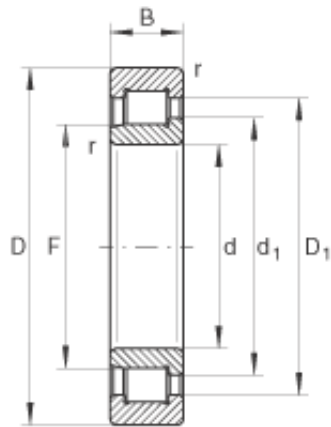




# NTN Machinery Manufacturing Co., Ltd

## 100 mm x 215 mm x 73 mm INA SL192320-TB cylindrical roller bearings



Bearing No. SL192320-TB

|                  |   |
|------------------|---|
| Size             | 100x215x73 mm                           |
| Bore Diameter    | 100 mm                                  |
| Outer Diameter   | 215 mm                                  |
| Width            | 73 mm                                   |
| d                | 100 mm                                  |
| D                | 215 mm                                  |
| B                | 73 mm                                   |
| D <sub>1</sub>   | 172,8 mm                                |
| d <sub>1</sub>   | 132,7 mm                                |
| F                | 119,3 mm                                |
| r <sub>min</sub> | 3 mm                                    |
| s                | 4 mm / Axial displacement               |
| m                | 13 kg / Weight                          |
| C <sub>r</sub>   | 790000 N / Dynamic load rating (radial) |
| C <sub>0r</sub>  | 850000 N / Static load rating (radial)  |
| C <sub>ur</sub>  | 148000 N / Fatigue limit load, radial   |
| n <sub>G</sub>   | 2110 1/min / Limiting speed             |

SL192320-TB Bearing 2D drawings and 3D CAD models