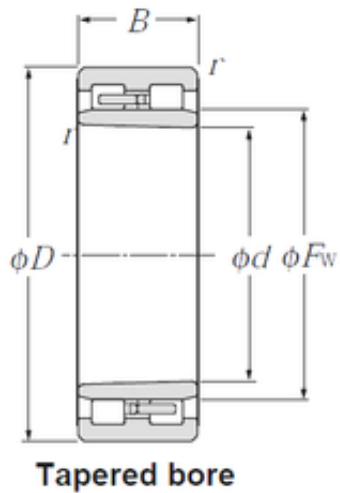




# NTN Machinery Manufacturing Co., Ltd



105 mm x 145 mm x 40 mm NTN NNU4921K cylindrical roller bearings

Bearing No. NNU4921K

Size	105x145x40 mm
Bore Diameter	105 mm
Outer Diameter	145 mm
Width	40 mm
d	105 mm
Fw	118 mm
D	145 mm
B	40 mm
C	40 mm
r min.	1,1 mm
Weight	1,82 Kg
Basic dynamic load rating (C)	133 kN
Basic static load rating (C0)	268 kN
(Grease) Lubrication Speed	4 100 r/min

NNU4921K Bearing 2D drawings and 3D CAD models