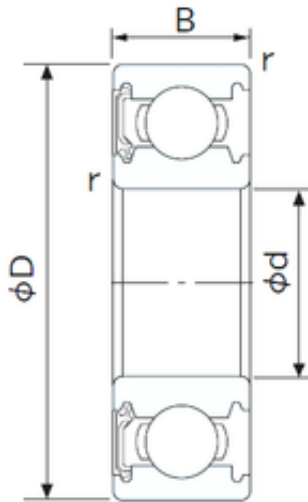




NTN Machinery Manufacturing Co., Ltd



70 mm x 100 mm x 16 mm CYSD 6914-RS deep groove ball bearings

Bearing No. 6914-RS

Size	70x100x16 mm
Bore Diameter	70 mm
Outer Diameter	100 mm
Width	16 mm
d	70 mm
D	100 mm
B	16 mm
C	16 mm
r min.	1 mm
Weight	0,336 Kg
Basic dynamic load rating (C)	16,5 kN

6914-RS Bearing 2D drawings and 3D CAD models