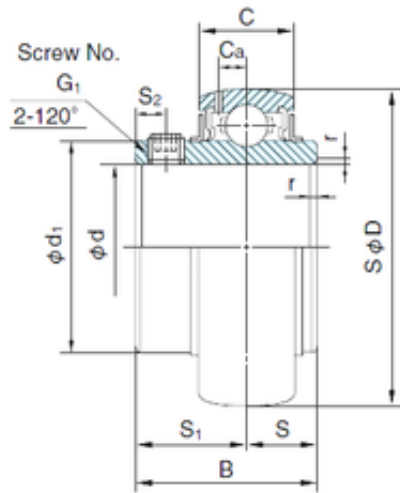




NTN Machinery Manufacturing Co., Ltd



100 mm x 190 mm x 117.5 mm NACHI UCX20 deep groove ball bearings

Bearing No. UCX20

Size	100x190x117.5 mm
Bore Diameter	100 mm
Outer Diameter	190 mm
Width	117.5 mm
d	100 mm
D	190 mm
B	117.5 mm
C	42 mm
S1	68.3 mm
Ca	13 mm
d1	132.5 mm
r	3.5 mm
S	49.2 mm
S2	16 mm
Thread (G)	M16 × 1.5
Weight	9.04 Kg
Basic dynamic load rating (C)	134 kN

UCX20 Bearing 2D drawings and 3D CAD models