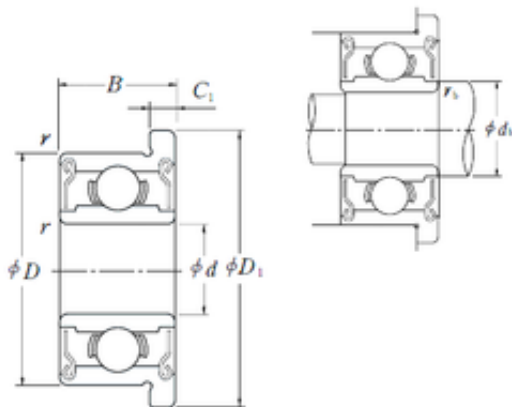




# NTN Machinery Manufacturing Co., Ltd



4 mm x 9 mm x 4 mm ISO F684ZZ deep groove ball bearings

Bearing No. F684ZZ

Dimensione	4x9x4 mm
Marchio	ISO
Diametro del foro	4 mm
Diametro esterno	9 mm
Larghezza	4 mm
d	4 mm
D	9 mm
D1	10,3 mm
B	4 mm
r min.	0,15 mm
C1	1 mm

F684ZZ Bearing 2D drawings and 3D CAD models