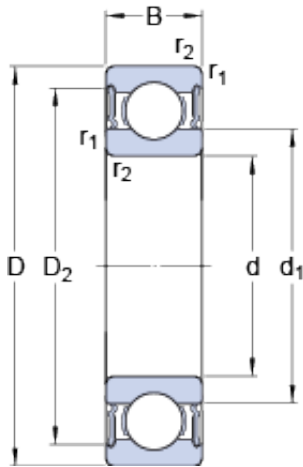




NTN Machinery Manufacturing Co., Ltd



70 mm x 90 mm x 10 mm SKF 61814-2RS1 deep groove ball bearings

Bearing No. 61814-2RS1

61814-2RS1 Bearing 2D drawings and 3D CAD models

Size	90x70x10 mm
Bore Diameter	90 mm
Outer Diameter	70 mm
Width	10 mm
d	70 mm
D	90 mm
B	10 mm
d ₁	76.6 mm
D ₂	85.5 mm
r _{1,2} - min.	0.6 mm
d _a - min.	73.2 mm
d _a - max.	76.5 mm
D _a - max.	86.8 mm
r _a - max.	0.6 mm
Basic dynamic load rating - C	12.4 kN
Basic static load rating - C ₀	13.2 kN
Fatigue load limit - P _u	0.56 kN
Limiting speed	4300 r/min
Calculation factor - k _r	0.015
Calculation factor - f ₀	17.2
Category	Single Row Ball Bearings
Inventory	4.0
Manufacturer Name	SKF
Minimum Buy Quantity	N/A



NTN Machinery Manufacturing Co., Ltd

Weight / Kilogram	0.157
EAN	7316577100412
Product Group	B00308
Enclosure	2 Seals
Precision Class	ABEC 1 ISO P0
Maximum Capacity / Filling Slot	No
Rolling Element	Ball Bearing
Snap Ring	No
Internal Special Features	No
Cage Material	Steel
Enclosure Type	Contact Seal
Internal Clearance	C0-Medium
Inch - Metric	Metric
Long Description	70MM Bore; 90MM Outside Diameter; 10MM Outer Race Diameter; 2 Seals; Ball Bearing; ABEC 1 ISO P0; No Filling Slot; No Snap Ring; No Internal Special Features
Category	Single Row Ball Bearing
UNSPSC	31171504
Harmonized Tariff Code	8482.10.50.68
Noun	Bearing
Keyword String	Ball
Manufacturer URL	http://www.skf.com
Manufacturer Item Number	61814 2RS1
Weight / LBS	0.33
Bore	2.756 Inch 70 Millimeter
Outside Diameter	3.543 Inch 90 Millimeter
Outer Race Width	0.394 Inch 10 Millimeter
bore diameter:	70 mm
static load capacity:	13.2 kN



NTN Machinery Manufacturing Co., Ltd

outside diameter:	90 mm
precision rating:	Not Rated
overall width:	10 mm
finish/coating:	Uncoated
bore type:	Round
cage material:	Steel
closure type:	Double Sealed
outer ring width:	10 mm
row type & fill slot:	Single Row Non-Fill Slot
fillet radius:	0.6 mm
internal clearance:	C0
maximum rpm:	4300 RPM
operating temperature range:	-40 to +210 ° F
series:	61
dynamic load capacity:	12.4 kN
d_1	76.4 mm
D_2	85.5 mm
$r_{1,2}$ min.	0.6 mm
d_a min.	73.2 mm
d_a max.	76.5 mm
D_a max.	86.8 mm
r_a max.	0.6 mm
Basic dynamic load rating C	12.4 kN
Basic static load rating C_0	13.2 kN
Fatigue load limit P_u	0.56 kN
Calculation factor k_r	0.015
Calculation factor f_0	17.2
Mass bearing	0.14 kg