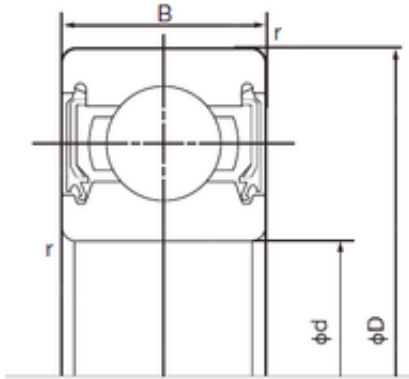




NTN Machinery Manufacturing Co., Ltd

60 mm x 130 mm x 31 mm NACHI 6312-2NSE
deep groove ball bearings



Bearing No. 6312-2NSE

6312-2NSE Bearing 2D drawings and 3D CAD models

Size	60x130x31 mm
Bore Diameter	60 mm
Outer Diameter	130 mm
Width	31 mm
d	60 mm
D	130 mm
B	31 mm
C	31 mm
r min.	2.1 mm
da min.	72 mm
Da max.	118 mm
ra max.	2.0 mm
Weight	1.70 Kg
Basic dynamic load rating (C)	82 kN
Basic static load rating (C0)	52 kN
Category	Single Row Ball Bearings
Inventory	0.0
Manufacturer Name	NACHI
Minimum Buy Quantity	N/A
Weight / Kilogram	0
Product Group	B00308
Enclosure	2 Seals
Precision Class	ABEC 1 ISO P0
Maximum Capacity / Filling Slot	No



NTN Machinery Manufacturing Co., Ltd

Rolling Element	Ball Bearing
Snap Ring	No
Internal Special Features	No
Cage Material	Steel
Enclosure Type	Contact Seal
Internal Clearance	C0-Medium
Inch - Metric	Metric
Long Description	60MM Bore; 130MM Outside Diameter; 31MM Outer Race Width; 2 Seals; Ball Bearing; ABEC 1 ISO P0; No Filling Slot; No Snap Ring; No Internal Special Features; C0-Medium Internal Clearance; Steel Cage;
Other Features	Deep Groove
Category	Single Row Ball Bearing
UNSPSC	31171504
Harmonized Tariff Code	8482.10.50.68
Noun	Bearing
Keyword String	Ball
Manufacturer URL	http://www.nachi-america.com
Outside Diameter	5.118 Inch 130 Millimeter
Inner Race Width	0 Inch 0 Millimeter
Outer Race Width	1.22 Inch 31 Millimeter
Bore	2.362 Inch 60 Millimeter
Bore Type	Cylindrical Bore
Configuration	Single Row
Bore Size	60 mm
Width	31 mm
Fillet Radius/Chamfer	2.1 mm
Dynamic Load Rating	82,000 N
Static Load Rating	52,000 N



NTN Machinery Manufacturing Co., Ltd

Limiting Speed - Grease	3,600 rpm
Factor f_0	13.2
Radial Clearance	0.008 to 0.028 mm
d_a (min)	72 mm
D_a (max)	118 mm
r_a (max)	2 mm