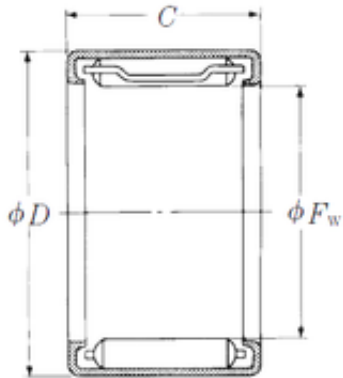




NTN Machinery Manufacturing Co., Ltd

NSK FJL-1420L needle roller bearings



Bearing No. FJL-1420L

Size	14x22x20 mm
Bore Diameter	14 mm
Outer Diameter	22 mm
Width	20 mm
Fw	14 mm
D	22 mm
C	20 mm
Weight	0,021 Kg
Basic dynamic load rating (C)	15,1 kN

FJL-1420L Bearing 2D drawings and 3D CAD models