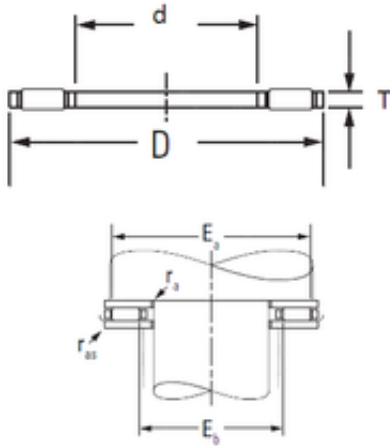




NTN Machinery Manufacturing Co., Ltd

Timken AXK0821TN needle roller bearings



Bearing No. AXK0821TN

Size	8x21x2 mm
Bore Diameter	8 mm
Outer Diameter	21 mm
Width	2 mm
d	8 mm
D	21 mm
T	2 mm
ra max.	0,3 mm
Ea	18,6 mm
Eb	9,6 mm
Weight	0,001 Kg
Basic dynamic load rating (C)	8,34 kN
Basic static load rating (C0)	21,1 kN

AXK0821TN Bearing 2D drawings and 3D CAD models