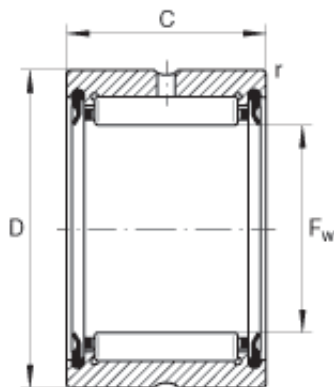




NTN Machinery Manufacturing Co., Ltd

INA RNA4910-2RSR needle roller bearings



Bearing No. RNA4910-2RSR

RNA4910-2RSR Bearing 2D drawings and 3D CAD models

Size	58x72x22 mm
Bore Diameter	58 mm
Outer Diameter	72 mm
Width	22 mm
F_w	58 mm
D	72 mm
C	22 mm
r_{min}	0,6 mm
m	160 g / Weight
C_r	45000 N / Dynamic load rating (radial)
C_{Or}	64000 N / Static load rating (radial)
C_{ur}	10600 N / Fatigue limit load, radial
$n_{G\ Fett}$	3500 1/min / Limiting speed for grease lubrication
Category	Needle Non Thrust Roller Bearings
Inventory	0.0
Manufacturer Name	SCHAEFFLER GROUP
Minimum Buy Quantity	N/A
Weight / Kilogram	0.16
Product Group	B04144
Rolling Element	Needle Roller Bearing
Component	Roller Assembly with Outer Ring - No Inner Ring
Enclosure	2 Seals



NTN Machinery Manufacturing Co., Ltd

Self Aligning	No
Retainer	Yes
Number of Rows of Rollers	Single Row
Separable	No
Closed End	No
Inch - Metric	Metric
Relubricatable	Yes
Thrust Bearing	No
Long Description	58MM Bore; 72MM Outside Diameter; 22MM Width; Needle Roller Bearing; Roller Assembly with Outer Ring - No Inner Ring; 2 Seals Enclosure; No Self Aligning; Retainer; Single Row of Rollers; No Separable
Other Features	2 Rib Outer Ring Precision Bearing Steel Cage Ground Raceway with Rib Oil Hole
Category	Needle Non Thrust Roller Bearing
UNSPSC	31171512
Harmonized Tariff Code	8482.40.00.00
Noun	Bearing
Keyword String	Needle
Manufacturer URL	http://www.ina.com
Manufacturer Item Number	RNA49102RS
Weight / LBS	0.353
Width	0.866 Inch 22 Millimeter
Outside Diameter	2.835 Inch 72 Millimeter
Bore	2.283 Inch 58 Millimeter