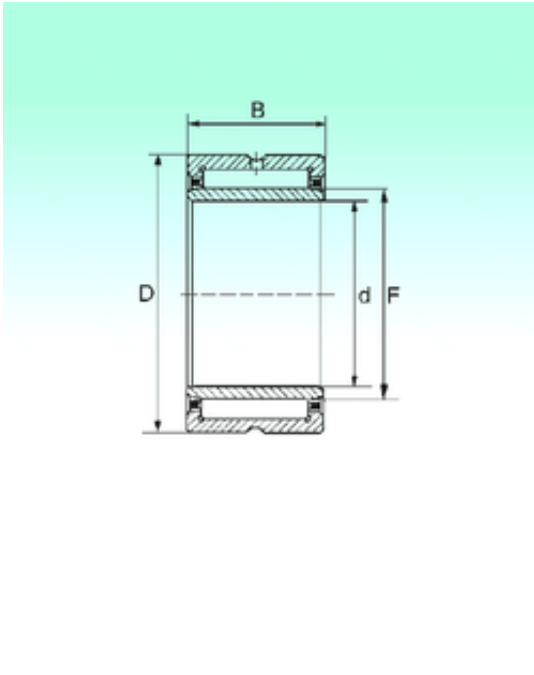




NTN Machinery Manufacturing Co., Ltd



NKIS 65 Bearing 2D drawings and 3D CAD models

NBS NKIS 65 needle roller bearings

Bearing No. NKIS 65

Size	65x95x28 mm
Bore Diameter	65 mm
Outer Diameter	95 mm
Width	28 mm
d	65 mm
Fw	75 mm
D	95 mm
C	28 mm
Weight	0,641 Kg
Basic dynamic load rating (C)	69 kN
Basic static load rating (C0)	121 kN