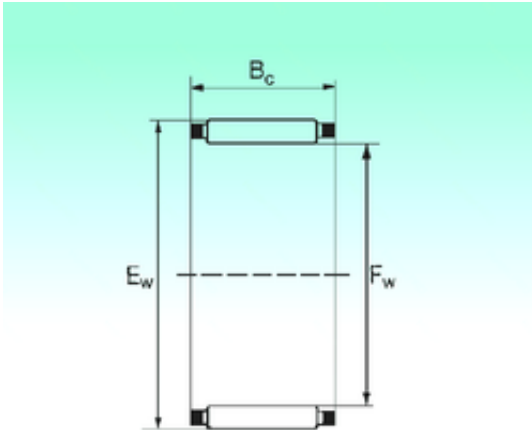




# NTN Machinery Manufacturing Co., Ltd



## NBS K 16x20x10 needle roller bearings

Bearing No. K 16x20x10

Bore Diameter	16 mm
Outer Diameter	20 mm
Fw	16 mm
Ew	20 mm
Bc	10 mm
Weight	0,0057 Kg
Basic dynamic load rating (C)	7,6 kN
Basic static load rating (C0)	9,7 kN

K 16x20x10 Bearing 2D drawings and 3D CAD models