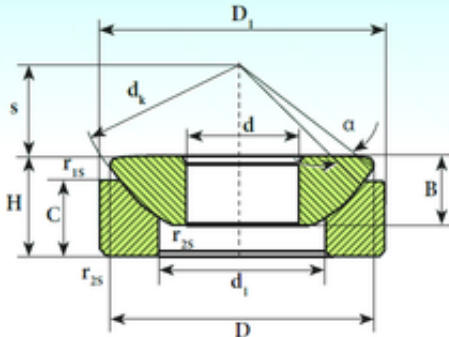




NTN Machinery Manufacturing Co., Ltd

140 mm x 243 mm x 61 mm ISB GX 140 SP
plain bearings

Bearing No. GX 140 SP



GX 140 SP Bearing 2D drawings and 3D CAD models

Size	140x243x61 mm
Bore Diameter	140 mm
Outer Diameter	243 mm
Width	61 mm
d	140 mm
d1	177 mm
D	243 mm
B	61 mm
C	54 mm
H	72 mm
dk	274 mm
r1 min.	1,5 mm
r2 min.	0,6 mm
s	52,5 mm
D1	260 mm
Angle	3 °
Weight	18,1 Kg
Basic dynamic load rating (C)	2700 kN